

Osmeo Easy 8''

1 500 to 5 500 L/h



MEMBRANE SEPARATION PROCESS

REVERSE OSMOSIS

EASY 8'' RO SYSTEM

Result of many years of experience, the **Osmeo** range combines compactness, ease of use and high treatment performance.

Equipped with low energy 8'' reverse osmosis membranes, the **Osmeo Easy 8''** RO systems are controlled by a PLC with colour touchscreen and an intuitive menu allowing the adjustment of all the operating parameters. The critical parameters such as the conductivity and the flow rates are distinctly

displayed together with adjustable alarm thresholds.

As an option, the **Osmeo Easy 8''** RO systems can be completed with a pretreatment integrated on a stainless steel skid and adapted to the raw water specifications (pre-filtration, softening, chemical conditioning, dechlorination...)

An independent Clean-In-Place (CIP) equipment can be proposed.



APPLICATIONS

The Osmeo range is designed to supply reverse osmosis water for the following applications :

- low pressure boilers,
- professional laundries,
- laboratories, cosmetics,
- car wash,
- any application requiring RO water.

SPECIFICATIONS

1 μ pre-filtration with isolating valve and upstream/downstream pressure gauges.

Inlet solenoid valve.

Adjustable low inlet pressure switch.

Multi-stage vertical pump.

Valve to adjust the service pressure with pressure gauge.

Fiberglass membrane housings.

Low energy 8'' Membranes.

Conductivity probe.

Stainless Steel concentrate globe valve.

Stainless Steel recirculation globe valve.

Flush solenoid valve.

Impulse turbine to measure the permeate flow rate.

Impulse turbine to measure the concentrate and recirculation flow rates.

PVC Connection valve for the CIP.

PLC with colour touchscreen 3''1/2.

Electrical enclosure 400V+GND.

Osmeo Easy 8''

OPERATING PARAMETERS

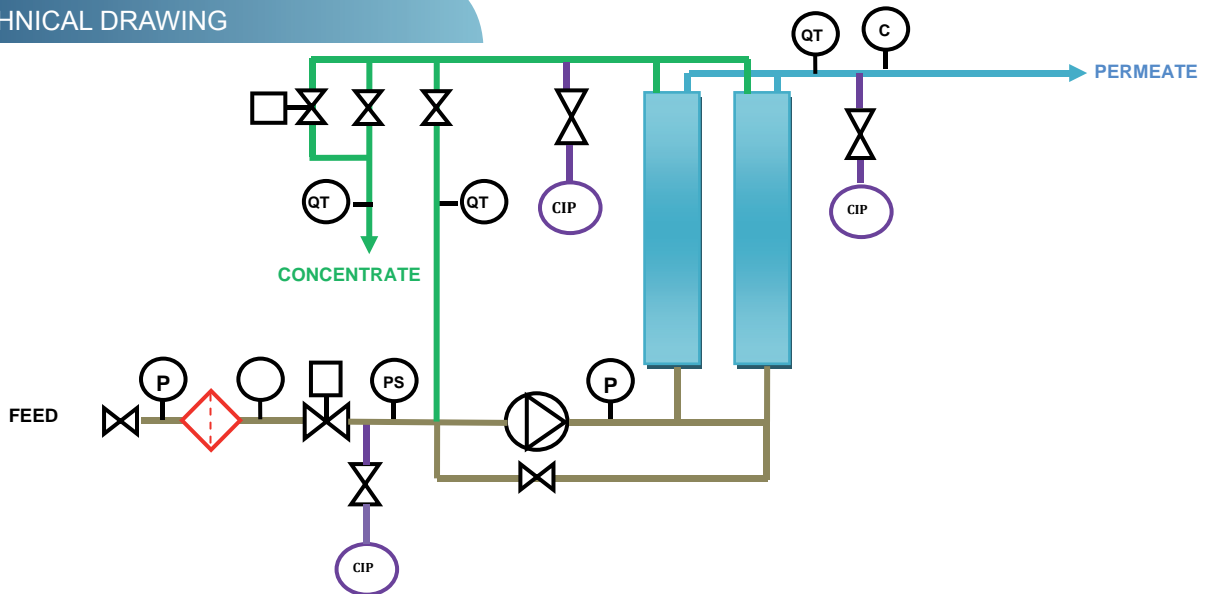
Feed pressure min/max	2 / 5 bars
Maximum temperature	37°C
TDS max	< 2000ppm
Iron+Manganese concentration	< 0.1ppm
SDI15 (fouling index)	< 3
Organic matter	< 3ppm
Free chlorine	< 0.1ppm
Minimum rejection	99.1%

TECHNICAL DATA

MODEL	Osmeo8 1500	Osmeo8 3000	Osmeo8 4500	Osmeo8 5500
Permeate flow rate at 15°C for 500 ppm (L/h) *	1500	3000	4500	5500
Concentrate flow rate (L/h)	500	1000	1500	1833
Feed flow rate (L/h)	2000	4000	6000	7333
Recovery	75%	75%	75%	75%
Number of membranes	1	2	3	4
Service pressure (bar)	13	13	13	13
Permeate counter pressure (bar)	0.5	0.5	0.5	0.5
Power (kW)	5.5	5.5	7.5	7.5
Electrical supply	3x400V + GND			
Connection DN (mm)				
Feed/Permeat/Drain	40/25/15	40/25/15	40/32/15	40/32/20
Dimensions (mm)				
Length	1400	1400	1400	1400
Depth	1100	1100	1100	1100
Height	2100	2100	2100	2100

* The permeate flow rate varies with the water temperature, approximately 3% per °C.

TECHNICAL DRAWING



DELTAPORE SYSTEMS

Mobile : +31 6 53 39 53 17

Email : info@deltapore.com

Web site : www.deltapore.com