

Osmeo Easy 4''

300 to 1 200 L/h



MEMBRANE SEPARATION PROCESS

REVERSE OSMOSIS

EASY 4'' RO SYSTEM

Result of many years of experience, the **Osmeo** range combines compactness, ease of use and high treatment performance.

Equipped with low energy 4'' reverse osmosis membranes, the **Osmeo Easy 4''** RO systems are managed by an electronic controller which monitors the safety systems and the automatic filling of the permeate tank.

As an option, the Osmeo RO systems can be integrated on a stainless steel skid together with a pretreatment adapted to the raw water specifications (pre-filtration, softening, chemical conditioning, dechlorination...)

An independant Clean-In-Place (CIP) equipment can be proposed.



APPLICATIONS

The Osmeo range is designed to supply reverse osmosis water for the following applications :

- low pressure boilers,
- professional laundries,
- laboratories, cosmetics,
- car wash,
- any application requiring RO water.

SPECIFICATIONS

- 1 μ pre-filtration with isolating valve and upstream/downstream pressure gauges.
- Inlet solenoid valve.
- Adjustable low inlet pressure switch.
- Multi-stage vertical pump.
- Valve to adjust the service pressure with pressure gauge.
- Fiberglass membrane housings.
- Low energy 4'' Membranes.
- Conductivity probe.
- Scaled flow control valve for the recirculation and concentrate.
- Flush solenoid valve.
- Flowmeter on the permeate line.
- Flowmeter on the concentrate line.
- Sampling on permeate.
- Automatism with LCD Osmeo Control screen.
- Electrical enclosure 400V+T+N.
- CIP connection.

Osmeo Easy 4''

OPERATING PARAMETERS

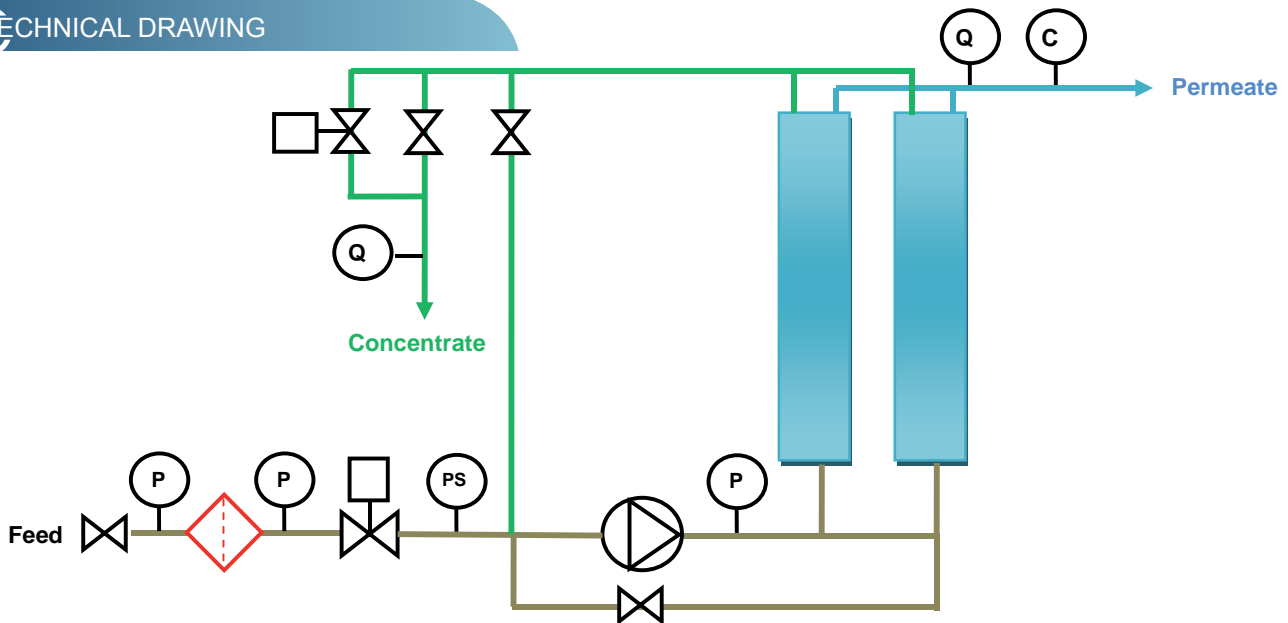
Feed pressure min/max	2 / 5 bars
Maximum temperature	37°C
TDS max	< 2000 ppm
Iron+Manganese concentration	< 0.1 ppm
SDI15 (fouling index)	< 3
Organic matter	< 3 ppm
Free chlorine	< 0.1 ppm
Minimum rejection	99.1%

TECHNICAL DATA

MODEL	Osmeo 300	Osmeo 600	Osmeo 900	Osmeo 1200
Permeate flow rate at 15°C for 500 ppm (L/h) *	300	600	900	1200
Concentrate flow rate (L/h)	100	200	300	400
Feed flow rate (L/h)	400	800	1200	1600
Recovery	75%	75%	75%	75%
Number of membranes	1	2	3	4
Service pressure (bar)	12	12	12	12
Permeate counter pressure (bar)	0.5	0.5	0.5 <td 0.5	
Power (kW)	1.5	2.2	2.2	2.2
Electrical supply	3x400V + Ground + Neutral			
Connection DN (mm)	20/15/15			
Feed/Permeate/Drain	20/15/15			
Dimensions (mm)				
Length	800	800	800	800
Depth	600	600	600	600
Height	1500	1500	1500	1500

* The permeate flow rate varies with the water temperature, approximately 3% per °C.

TECHNICAL DRAWING



DELTAPORE SYSTEMS

Mobile : +31 6 53 39 53 17

Email : info@deltapore.com

Web site : www.deltapore.com